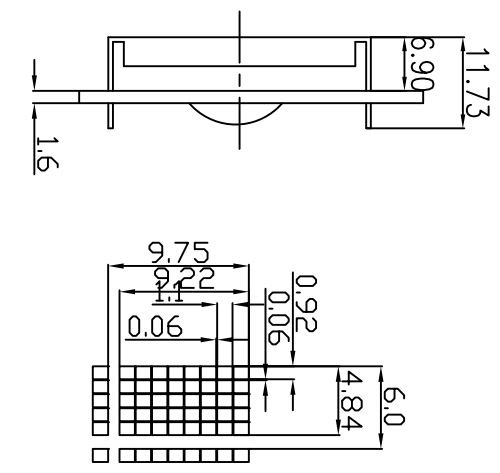
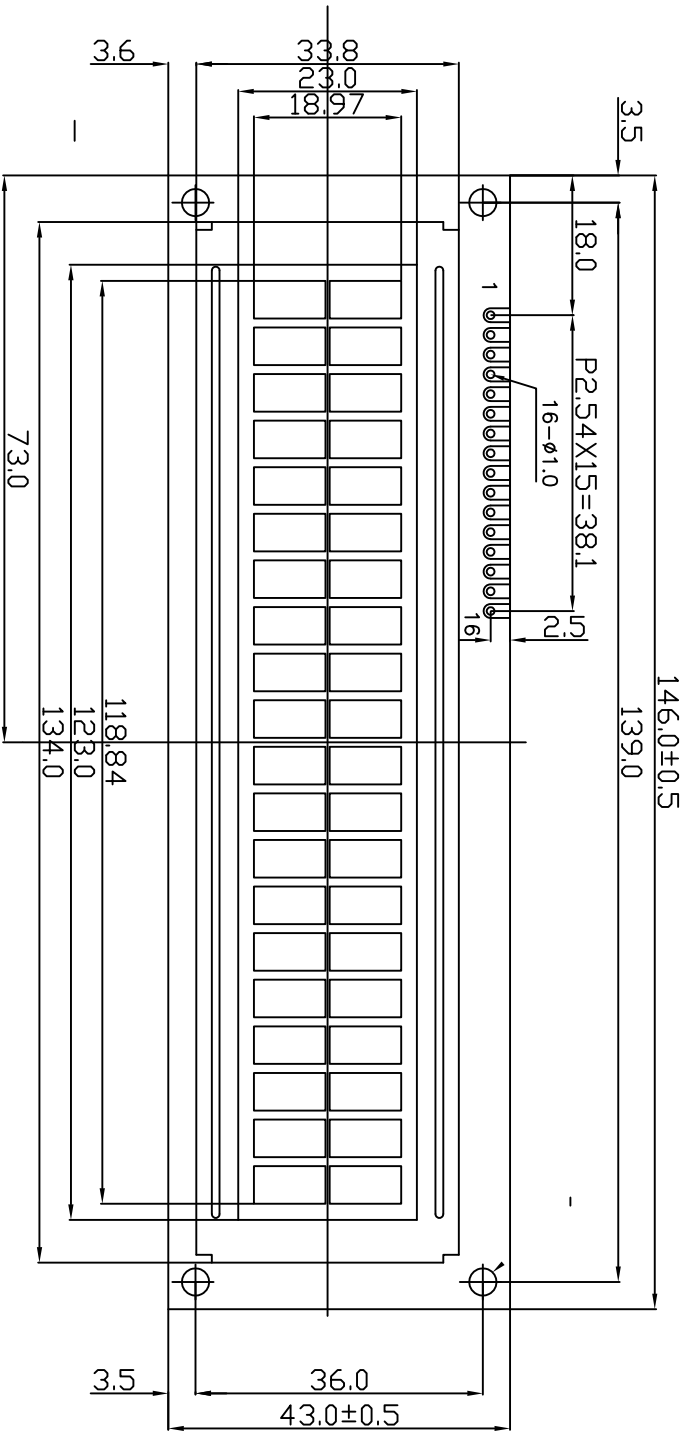


REV	DATE	DESCRIPTION	DESIGNED	CHECK	APPROVED



PIN NO.	1	2	3	4	5	6	7~14	15	16
SYMBOL	VSS	VDD	V0	RS	R/W	E	DB0~DB7	A	K

- NOTE:
- 1) DISPLAY TYPE: STN
  - 2) VIEWING ANGLE: 6 O'CLOCK
  - 3) POLARIZER MODE: POSITIVE-TRANSPARENT-Y/G
  - 4) DRIVE METHOD: 1/16DUTY 1/5BIAS
  - 5) OPERATING VOLTAGE: 5.0V
  - 6) OPERATING TEMP: -0°C TO 50°C
  - 7) STORAGE TEMP: -10°C TO 60°C
  - 8) BACKLIGHT: COLOR: Y/G